

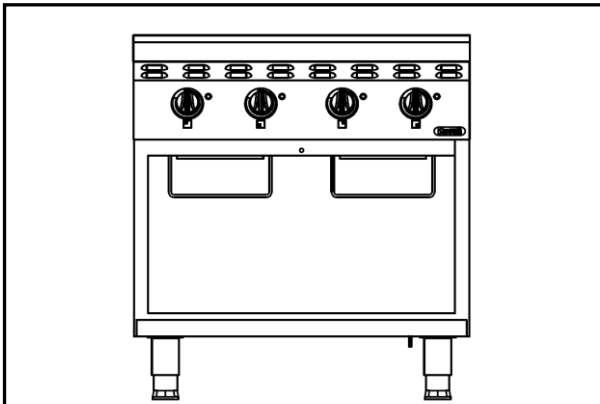


Total Food-Service Solutions

Modular Cooking – Meritus 750

Electric Induction Cooker

NEIC 8-75 MR



*Due to routine technical improvement, the photograph shown may not represent the latest design of the products.

AVAILABLE MODEL

1. NEIC 8-75 MR

DESCRIPTION

Electric Induction Cooker with 14 kW power rate. Provided with two glasses on it and open cabinet. This Electric Induction Cooker is especially designed for many cooking purpose from sautéing until boiling. Featuring removable clip joint to connect Meritus family product.

ITEM# : _____

MODEL# : _____

NAME : _____

SN : _____

MAIN FEATURE

- Unit to be installed free standing, can be joined with base cabinet, table stand or cantilever system.
- Service maintenance can be done from the front panel.

CONSTRUCTION

- All exterior panels in 304 type of Stainless Steel
- Orbital top panel anti-scratch finishing.
- Top and side are mounted by 1.5 mm of Stainless Steel
- Adjustable ± 25 mm Stainless Steel leg.

INCLUDED ACCESSORIES

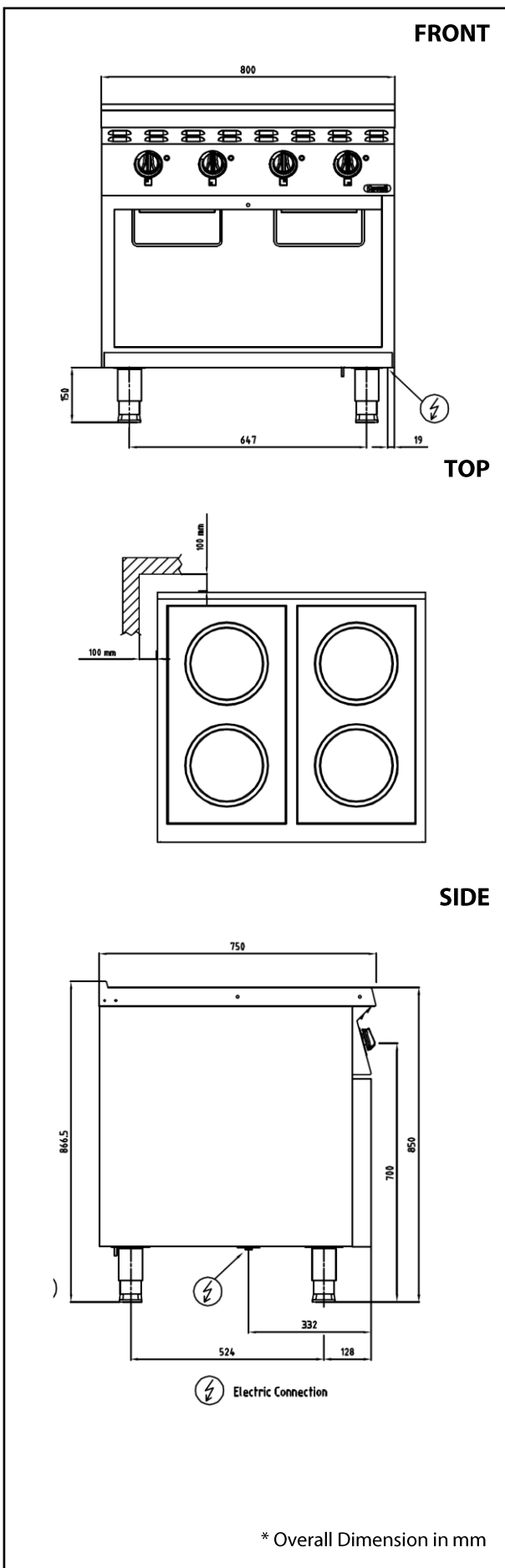
- N/A

OPTIONAL ACCESSORIES

- Clip Plate for Joining

The company reserves the right to make modifications to the products without prior notice. All information correct at time of printing.
2018.07.09





ELECTRIC

Electrical rating (kW)	:	14
Element rating (kW)	:	15
Electrical supply voltage	:	400V 3N
Required electrical supply (amps):		32
Electrical current split (amps) :		L1: 16
		L2: 32
		L3: 16

KEY INFORMATION

Unit dimension (WxDxH)	:	800x750x850 mm
Cooking surface (WxD)	:	4 x Ø 250 mm
Direct heat emission	:	2.8 kW
Latent heat emission	:	1.12 kW
Steam emission	:	1.65 kg/h
Shipping height	:	1000 mm
Shipping width	:	860 mm
Shipping depth	:	840 mm
Shipping volume	:	0.722 m ³

_____ :

The company reserves the right to make modifications to the products without prior notice. All information correct at time of printing. 2018.07.09